

# T·Flow



THE ORIGINAL BLUPURA MECHANICAL TAP... IS DIFFERENT!

Unique design and functional features on the market, a minimal and modern aesthetic, three colors, and many possibilities.

T-flow is a state-of-the-art mechanical tap, equipped with a flow reducer and a self-closing spring system. Its design is compact and elegant, featuring a tubular structure made of AISI 304 stainless steel (D.50mm) and treated with a double coat of durable powder paint to resist impacts and scratches.

TAPS











Compared to other taps on the market, the T-flow features an internal water flow recirculation system that keeps the pathways cool up to the dispensing point, optimizing performance.

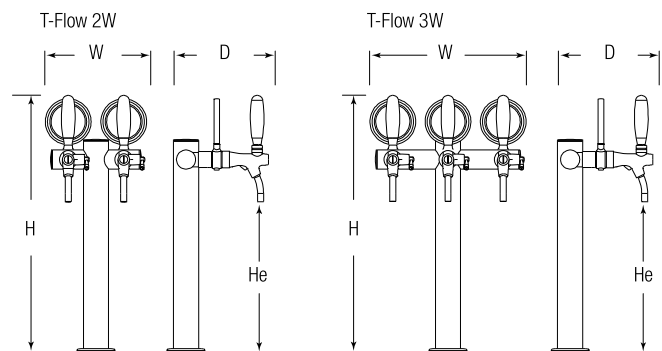
Elegance and many color-matching possibilities with the furniture and style of the environment: T-flow is available in a selection of matte black, white, and bronze finishes.

Two are the types of taps in the range: the T-flow 2 with two dispensing points (cold, sparkling) and the T-flow 3 with three dispensing points (cold, ambient, sparkling). The medallions with simple and intuitive graphics identifying the type of dispensed water come as standard.

						
T-Flow 2W white	24	300	5,5	180 x 201 x 511	8	48
T-Flow 2W black	24	300	5,5	180 x 201 x 511	8	48
T-Flow 2W bronze	24	300	5,5	180 x 201 x 511	8	48
T-Flow 3W white	24	300	6	309 x 209 x 511	8	48
T-Flow 3W black	24	300	6	309 x 209 x 511	8	48
T-Flow 3W bronze	24	300	6	309 x 209 x 511	8	48

<sup>1</sup> Information not valid for shipments by air

COMBINED WITH



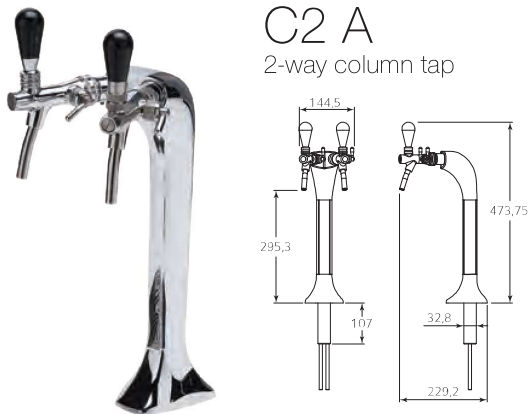
# MECHANICAL TAPS, TRAYS AND VARIOUS ACCESSORIES.



For undercounter  
see pages 98 - 105



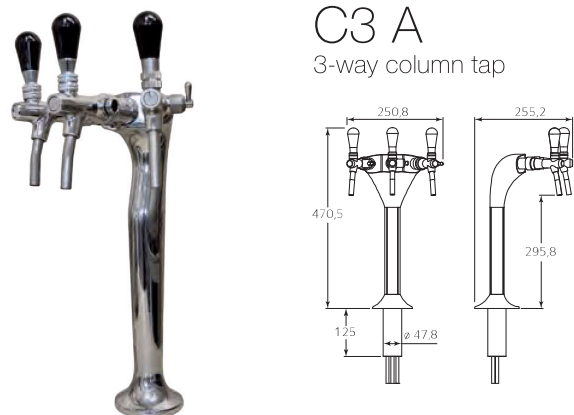
TAPS



**C2 A**  
2-way column tap



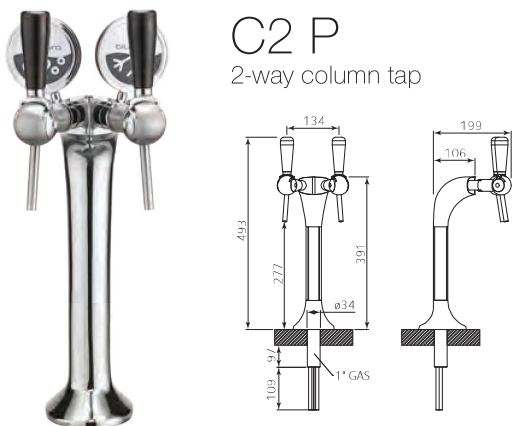
	Dispensing area	Weight	Dimensions	Inlet water pipe	Bore size of installation
	He [mm]	[kg]	W x D x H [mm]	ø [mm]	ø [mm]
C2 A	295	5	145 x 230 x 474	8	33



**C3 A**  
3-way column tap



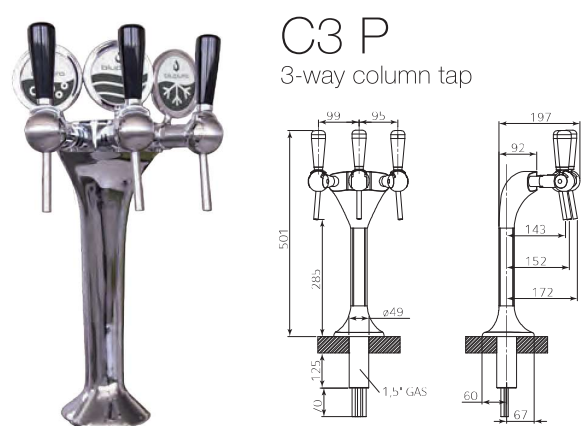
	Dispensing area	Weight	Dimensions	Inlet water pipe	Bore size of installation
	He [mm]	[kg]	W x D x H [mm]	ø [mm]	ø [mm]
C3 A	295	8	251 x 255 x 470	8	48



**C2 P**  
2-way column tap



	Dispensing area	Weight	Dimensions	Inlet water pipe	Bore size of installation
	He [mm]	[kg]	W x D x H [mm]	ø [mm]	ø [mm]
C2 P	277	5	145 x 199 x 500	8	34



**C3 P**  
3-way column tap



	Dispensing area	Weight	Dimensions	Inlet water pipe	Bore size of installation
	He [mm]	[kg]	W x D x H [mm]	ø [mm]	ø [mm]
C3 P	285	8	210 x 199 x 500	8	49

